

# Wall-mounted air intake/exhaust vent with drip

## UVLA



### Description

UVLA air intake/exhaust vents are designed for use in mechanical or gravity ventilation systems with heat recovery. The half-dome cowl prevents air back flow from the gusts outside. The louvres force the exhaust air flow down. The UVLA air intake/exhaust vents have a rubber seal and fitting clamps for easy installation. The product provides a highly aesthetic finish and a long service life. The product is suitable for outdoor and indoor use.

#### Available materials - Product code examples

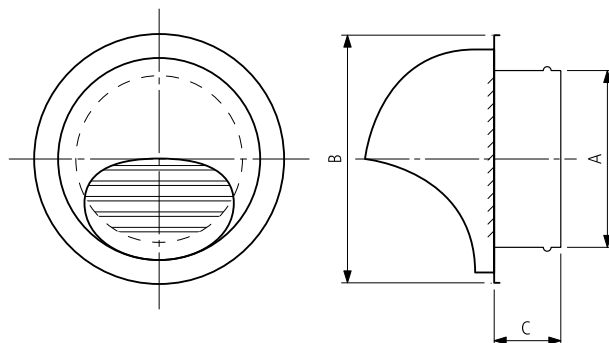
UVLA -...- polished stainless steel

#### Product code example

Product code: UVLA - aaa

type \_\_\_\_\_  
 Ød \_\_\_\_\_

### Dimensions



| Ød<br>[mm] | A<br>[mm] | B<br>[mm] | C<br>[mm] | Effective area<br>[m <sup>2</sup> ] |
|------------|-----------|-----------|-----------|-------------------------------------|
| 100        | 95        | 148       | 48        | 0.005                               |
| 125        | 120       | 188       | 48        | 0.008                               |
| 150        | 145       | 210       | 56        | 0.012                               |
| 160        | 155       | 210       | 62        | 0.014                               |
| 180        | 175       | 272       | 66        | 0.016                               |
| 200        | 195       | 272       | 70        | 0.018                               |
| 250        | 245       | 355       | 75        | b.d.                                |

### Drip styles

UVLA air exhaust vents feature a slim and a wide drip.

