

ROCKER-EX[GD] Series

Ex ON-OFF SWITCHES, CHANGEOVER SWITCHES, PUSH BUTTON SWITCHES



ROCKER-EX[GD] Series

■ Ex ON-OFF SWITCHES/CHANGEOVER SWITCHES/PUSH BUTTON SWITCHES



The ROCKER-EX[GD] series has been designed for the command of lighting plants in areas classified as zone 1, 2, 21 and 22.

The presence of a potentially explosive atmosphere, from gas or dust, implies that every component is chosen with the due characteristics, in order to avoid the ignition of an explosion.

The ROCKER-EX[GD] series offers three functions: On-Off switch, changeover switch and push button switch.

Options are provided for all functions, such as a different number of entries or the possibility to select the type of cable gland, polyamide or nickel plated brass (for armoured or unarmoured cable).

■ REFERENCE STANDARDS

ATEX IECEX	EN 60079-0:2012/A11:2013
	EN 60079-1:2014
	EN 60079-7:2015+A1:2018
	EN 60079-31:2014
	EC 60079-0:2017
	IEC 60079-1:2014
	IEC 60079-7:2015
IEC 60079-31:2013	

LVD	EN 60669-1:2018 IEC 60669-1:2017
-----	-------------------------------------

■ TECHNICAL CHARACTERISTICS

Rated current:	16A
Rated voltage:	250V AC
Protection degree:	IP66
IK degree:	7J
Ambient temperature:	-50°C ≤ Ta ≤ +60°C -35°C ≤ Ta ≤ +60°C
Material:	PA6 (glass-fibre reinforced)

■ ATEX IECEX CHARACTERISTICS

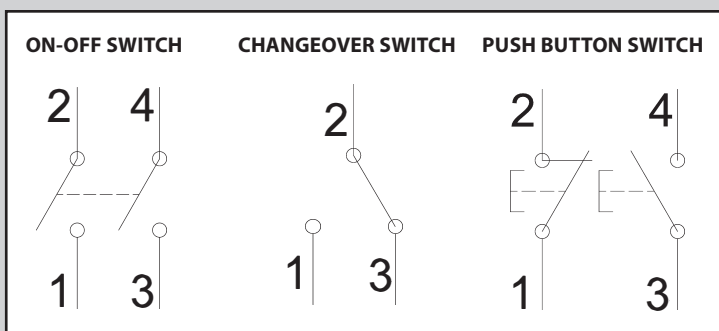
Marking acc. to 2014/34/UE:	II 2 GD
Explosion Protection Type:	- Ex db eb IIC T6 Gb - Ex db eb IIC T4 Gb - Ex tb IIIC T80°C Db

■ ATEX IECEX CERTIFICATES

ATEX:	INERIS 19 ATEX 0014X
IECEX:	IECEX INE 19.0012X

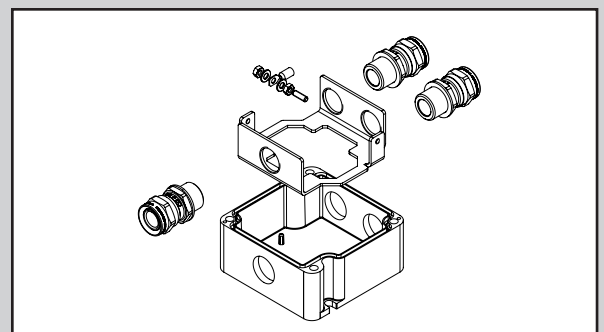
■ WIRING DIAGRAMS

On-Off switch - changeover switch - push button switch



■ ACCESSORIES

Earth plate - earth stud - reversible base



■ ON-OFF SWITCHES/CHANGEOVER SWITCHES/PUSH BUTTON SWITCHES WITH PLASTIC CABLE GLANDS – Ta -35°C


Description	Cable entries	Pack Quantity	Plastic cable glands
On-Off switches (NO+NO)	1xM20	1	592.R001-01
On-Off switches (NO+NO)	2xM20	1	592.R001-02
On-Off switches (NO+NO)	1xM20+2xM20	1	592.R001-03
Changeover switches (NO+NC)	1xM20	1	592.R002-01
Changeover switches (NO+NC)	2xM20	1	592.R002-02
Changeover switches (NO+NC)	1xM20+2xM20	1	592.R002-03
Push button switches (NO+NC)	1xM20	1	592.R003-01
Push button switches (NO+NC)	2xM20	1	592.R003-02

- Polyamide cable glands.

■ ON-OFF SWITCHES/CHANGEOVER SWITCHES/PUSH BUTTON SWITCHES WITH METALLIC CABLE GLANDS – Ta -50°C

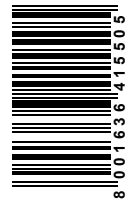

Description	Cable entries	Pack Quantity	Metallic cable glands	Armoured metallic cable glands
On-Off switches (NO+NO)	1xM20	1	592.R001-01-A	592.R001-01-B
On-Off switches (NO+NO)	2xM20	1	592.R001-02-A	592.R001-02-B
On-Off switches (NO+NO)	1xM20+2xM20	1	592.R001-03-A	592.R001-03-B
Changeover switches (NO+NC)	1xM20	1	592.R002-01-A	592.R002-01-B
Changeover switches (NO+NC)	2xM20	1	592.R002-02-A	592.R002-02-B
Changeover switches (NO+NC)	1xM20+2xM20	1	592.R002-03-A	592.R002-03-B
Push button switches (NO+NC)	1xM20	1	592.R003-01-A	592.R003-01-B
Push button switches (NO+NC)	2xM20	1	592.R003-02-A	592.R003-02-B

- Nickel plated brass cable glands and silicon seal.

Also available in AISI 316L steel (on request).

- Earth plate and earth stud included.

ZP01079-GB-1



ScameOnLine
www.scame.com
atex@scame.com

SCAME PARRE S.p.A.
VIA COSTA ERTA, 15
24020 PARRE (BG) ITALY
TEL. +39 035 705000
FAX +39 035 703122

