

CA IL ES G4 FTR 4020

GENERAL DATA



CENTRIFUGAL FAN IN LOW PROFILE BOX WITH RECTANGULAR FLANGES AND FILTER(S), WITH EXTERNAL ROTOR EC MOTOR

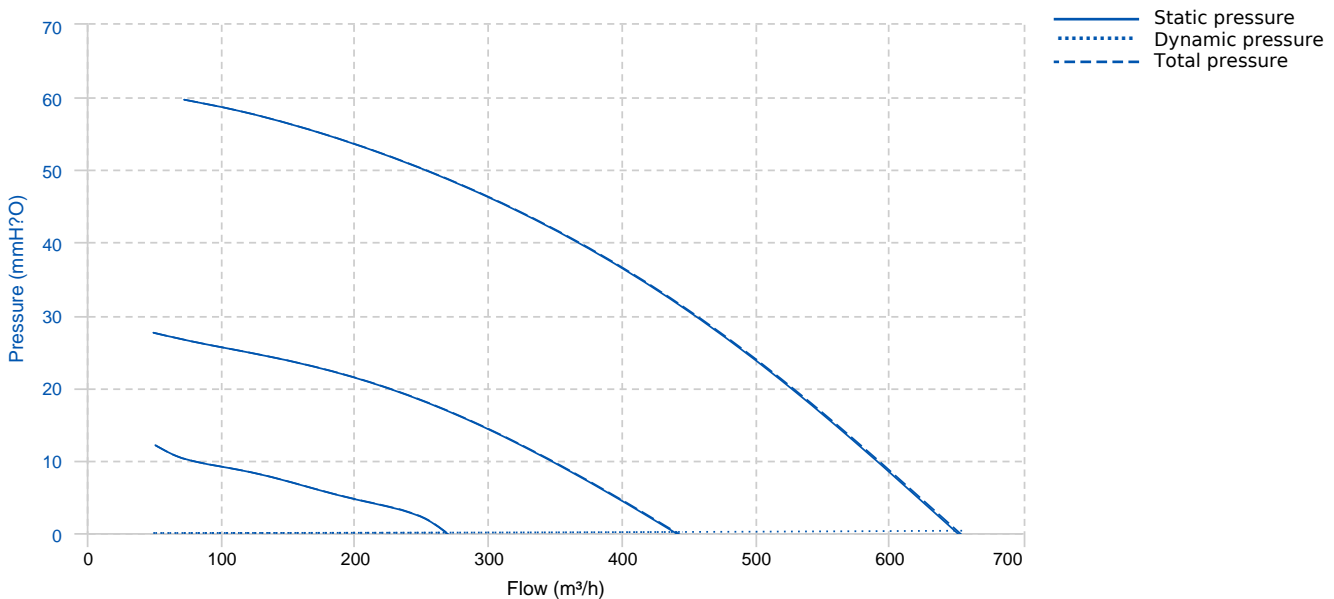
MANUFACTURING FEATURES

Inline ventilation box made of galvanized steel with rectangular connection flanges. Self-cleaning impeller with back curved (reaction) blades of high performance and single inlet, direct drive. Dynamically balanced to minimize noise and vibration. Polyamide reinforced impeller for models 3015 and 4020 and aluminum plate for the rest. High efficiency, low noise external rotor EC motor. Speed control through a 0-10V or PWM signal. Single-phase 230V 50/60Hz power supply for models 3015 to 6040 and three-phase 400V 50/60Hz for sizes 7050 and 8060. IP44 motor and class B insulation. Supplied with a filtration stage ISO COARSE 65% (G4) or 2 stages ISO COARSE 65% (G4) and ISO ePM1 65% (F7). Easily accessible inspection and cleaning register.

APPLICATIONS

Designed for installation in ducts, they are indicated for:
 -Air renovations in bathrooms and small rooms.
 -Perfect for false ceiling mounting.
 Working temperature range from -20°C to 60°C

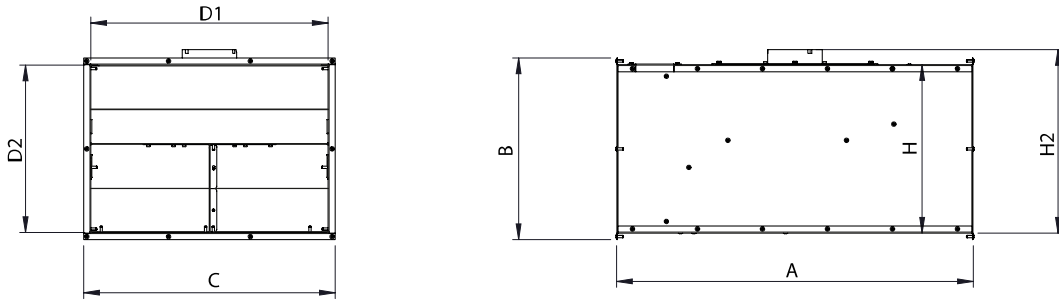
PERFORMANCE CURVE



TECHNICAL DATA

Fan							
RPM	3570	Approx. weight	9.5 kg	Max. Flow	685 m³/h		
Motor							
Power	9.500000000000000001E-2 kW	RPM	3570	I max. (230V)	0,73 A	Approx. weight	2.6 kg

DIMENSIONS




Dimensions (mm)

A	620	B	230	C	430	D1	400	D2	200
H	204	H2	243.5						

WIRING DIAGRAM

Nº	Signal Señal	Colour Color	Specification Especificación
1	L	Brown Marrón	AC 220V/50Hz
2	N	Blue Azul	AC 220V/50Hz
3	Pe	Yellow-Green Amarillo-Verde	

Nº	Signal Señal	Colour Color	Specification Especificación
1	GND	Blue Azul	
2	Vsp	Yellow Amarillo	0-10 V/PWM
3	Vcc	Red Rojo	DC 10V
4	FG	White Blanco	1 Pulse/R

ACCESSORIES



SAFETY SWITCH
SWT 25 3P
REF: 21673

