

# Technical Data Sheet

CODE 61022

## NORDIK HEAVY DUTY 160

Reversible heavy duty ceiling fans



### Certifications

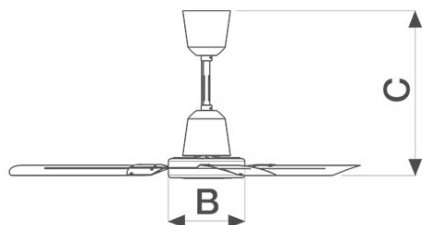


CB TEST CERTIFICATE

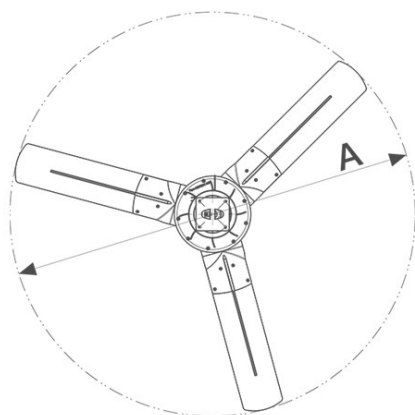
## Technical and performance data

Fan diameter	1524	Voltage (v)	230
Frequency (Hz)	50/60*	Weight (Kg)	8,6
Insulation class	I°	Max airflow (m <sup>3</sup> /h)	19300
IP	55	Max airflow (m <sup>3</sup> /min)	321,6
Max absorbed current (A)	0,37	Max flow speed (m/s)	1,85
Max absorbed power (W)	85	RPM	210
Max ambient temperature for continuous operation (°C)	50	Service value (m <sup>3</sup> /min)/W	3,78
Motor power (W)	85	Sound power Lw [dB(A)]	55,6
		Sound pressure Lp [dB (A)] at 3 m	38,09

## Dimensions



Size A (mm)	∅
	1524
Size B (mm)	∅ 230
Size C (mm)	495



### PER INFORMAZIONI / FOR INFORMATION

#### ITALY

Pre Sales:  
prevendita@vortice-italy.com  
After Sales:

#### UNITED KINGDOM & REP. OF

IRELAND  
Sales Dept:  
sales@vortice.ltd.uk  
Technical Dept:

#### OTHER COUNTRIES

Sales Dept:  
export@vortice-italy.com  
After Sales:

postvendita@vortice-italy.com

technical@vortice.ltd.uk

after-sales@vortice-italy.com

# Technical Data Sheet

CODE 61022

## NORDIK HEAVY DUTY 160

Reversible heavy duty ceiling fans



## Description

- Die-casted epoxy painted motor covers, colour black, sealed with EPDM gaskets to prevent dust or water entry.
- Cups made of electrogalvanized steel plate protected by a double layer of epoxy paint.
- Nominal diameter of blades 1600 mm.
- Single-phase external rotor motor, shaft mounted on ball bearings.
- 3 blades made of electrogalvanized steel plate protected by a double layer of epoxy paint.
- 4 hole support plate compatible with different types of ceilings, even highly slanted.
- Lifeline to prevent any risk of falling in case of uncorrect installation of the product.
- Possibility of automatic adjustment of up to 16 fans simultaneously, in relation to the differential measured by two temperature sensors (VORT DELTA T optional).
- Nuts and bolts, ceiling hook and rubber made damper supplied with the product.
- Adjustable speed control through auto-transformer or multiple electronic devices allowed (optionals)

## Accessories



### ASTA DI SOSTEGNO L.290 HEAVY DUTY

Code 22717



### ASTA DI SOSTEGNO L.665 HEAVY DUTY

Code 22718



### ASTA DI SOSTEGNO L.915 HEAVY DUTY

Code 22719



### SET PALE D.160 HEAVY DUTY

Code 22726



### SCRR5

Code 12963



### SCRR/M

Code 12965



### VORT DELTA T

Code 13039

## PER INFORMAZIONI / FOR INFORMATION

### ITALY

Pre Sales:  
prevendita@vortice-italy.com  
After Sales:  
postvendita@vortice-italy.com

### UNITED KINGDOM & REP. OF

IRELAND  
Sales Dept:  
sales@vortice.ltd.uk  
Technical Dept:  
technical@vortice.ltd.uk

### OTHER COUNTRIES

Sales Dept:  
export@vortice-italy.com  
After Sales:  
after-sales@vortice-italy.com