



TD-MIXVENT

5211009100 - TD-2000/315N 3V (220-240V 50/60HZ) N8 - IN-LINE DUCT FANS



Low profile in-line mixed-flow fan for circular duct. The unique design of the support bracket allows the motor and impeller assembly to be fitted or removed without dismantling the adjacent ducting. Low profile compact casing manufactured in tough reinforced plastic.

Optimised design of the impeller, guidevane and outlet diffuser, to increase performance and lower the sound level. Airtight construction with doubleinjection sealing between the main body and he support bracket to avoid air leaks. Rubber gaskets on the flanges to improve airtightness with the ducts.

Silent-block between the motor and the guide vane to reduce the motor's vibrations and lower the sound level of the installation, even in terms of speed regulation.

Motor

3-speed single-phase motor assembled with antivibration mount to reduce vibration and noise level, 220-240V50/60Hz, IP44, class F, with thermal protection. Motor also speed regulable by tension.

Working temperature -20/60°C

Model TD-2000/315N 3V (220-240V 50/60Hz) N8 for an airflow 1.452 m³/h and static pressure 187 Pa.

Theoretical Working Point

Airflow	1.500 m ³ /h
Static Pressure	200 Pa
Temperature	20 °C
Altitude	0 m
Density	1,2 kg/m ³
Frequency	50 Hz

Working Point

Airflow	1.452 m ³ /h
Static Pressure	187 Pa
Dynamic pressure	16,1 Pa
Total Pressure	203 Pa
Input power	0,252 kW
Outlet speed	5,2 m/s
Fan speed	2642 rpm
Specific Fan Power	0,63 W/l/s

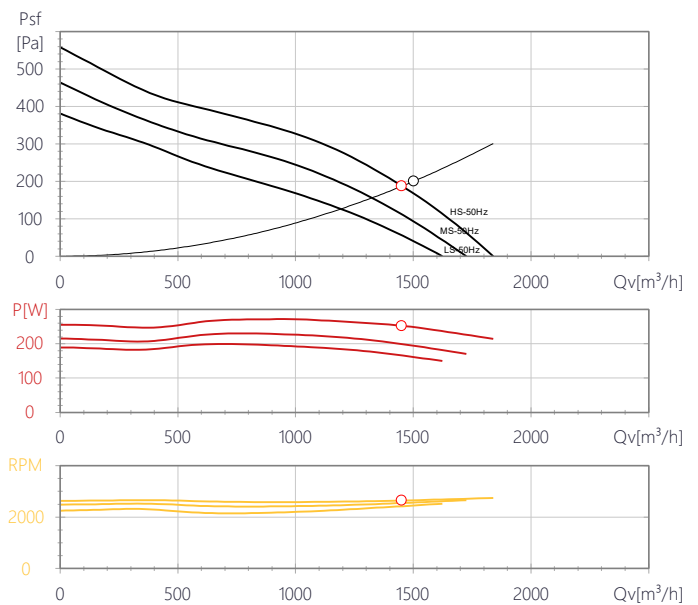
Construction

Discharge diameter	315 mm
Fan size	315
Weight	8,60 kg

Motor Characteristics

Number of poles	2
Voltage	1-230V-50Hz
Maximum absorbed current	1,1 A
IP Rating	IP44
Motor insulation class	F

Performance Chart



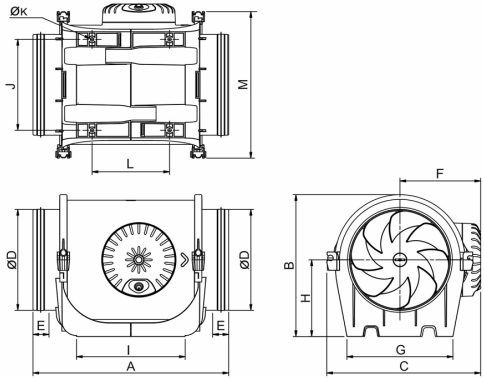
Sound Performance



TD-MIXVENT

5211009100 - TD-2000/315N 3V (220-240V 50/60HZ) N8 - IN-LINE DUCT FANS

Drawing



A	B	C	D	E	F	G	H	I
485	353	371	310	45	192	275	188	317

J	K	L	M
242	7	205	358