

HJBMX 30 T4 0,12kW Zone 1: FAN (Ex h IIB+H2 T4 Gb) + MOTOR (Ex db IIC T5 Gb) (268313106XD)

GENERAL DATA



ATEX SQUARE WALL PLATE FAN WITH VARIABLE PITCH BLADES

MANUFACTURING FEATURES

- Square plate made of inox steel AISI 304.
- Variable pitch angle PAGAS impeller.
- Supplied with galvanized motor support and protection guard according to the ROHS 2002/95/EC Directive (Restriction of the Use of Certain Hazardous Substances in Electrical and Electronic Equipments).
- ATEX standard asynchronous motor. ATEX certified: II2G Ex d, Standard voltages 230V 50Hz for single phase motors and 230/400V 50Hz for three phase motors. IP55 protection.

APPLICATIONS

Designed for wall assembly, they are suitable for:

- Air renewal in buildings and industries.
- Smoke extraction (max. 60°C).
- General ventilation in closed environments classified as ATEX.
- Working temperature: ambient from -20°C to 60°C

UNDER REQUEST

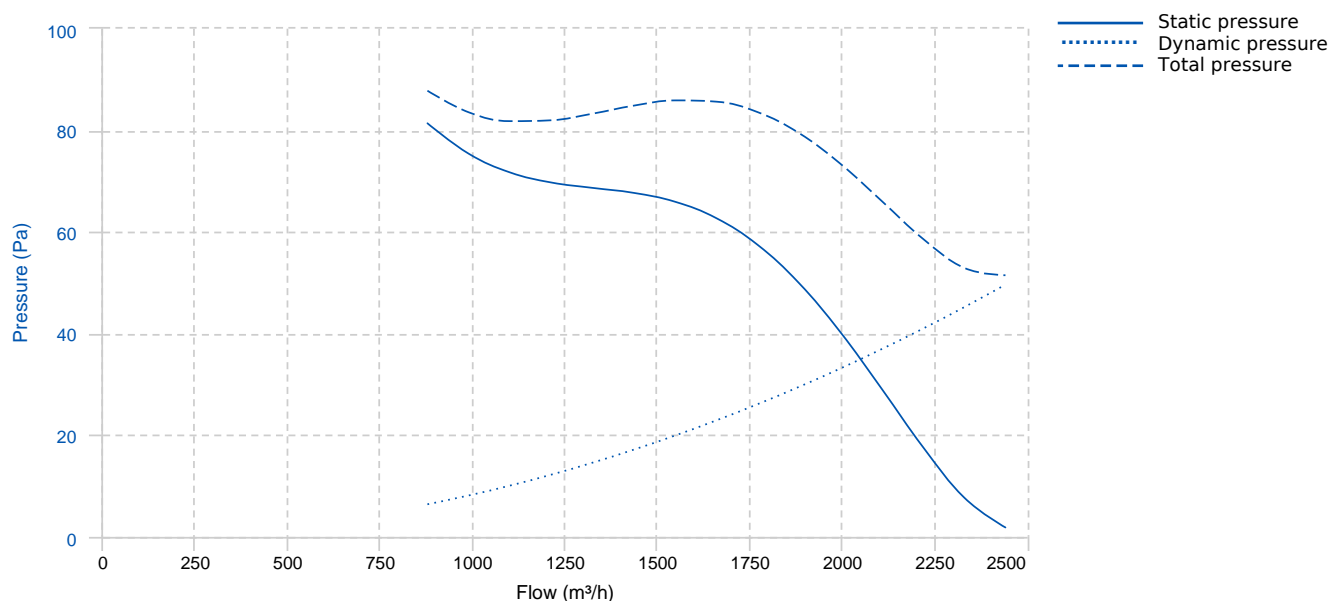
- 60Hz fans and special voltages.
- Stainless protection grid.

ORGANISM: L.O.M.

CERTIFICAT N°: LOM 17.755X-C

In compliance with the Directive 2014/34/UE

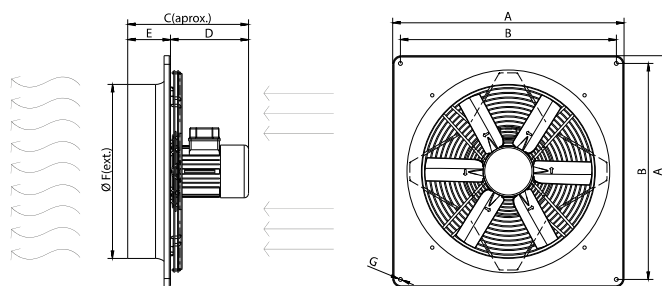
PERFORMANCE CURVE



TECHNICAL DATA

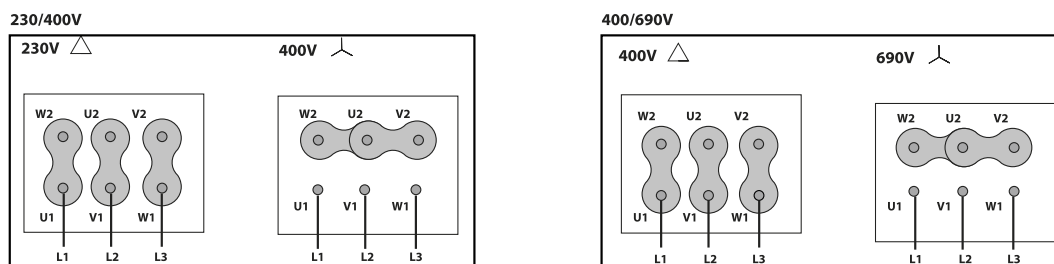
Fan							
RPM	1412	Approx. weight	5 kg	Max. Flow	2450 m ³ /h		
Motor							
Power	0,12 kW	RPM	1412	I max. (400V)	0,65 A	Size	63
Efficiency (%)	50 %	FP	0.63				

DIMENSIONS



Dimensions (mm)									
A	404	B	337	C(aprox)	274,5	D	192,8	E	82
ØF(ext)	308	ØG	9						

WIRING DIAGRAM



ACCESSORIES



Outlet protection guard for axial fans
RP0 30
REF: 980000030



ATEX SWITCH
INT 16 ATEX
REF: 510200016X

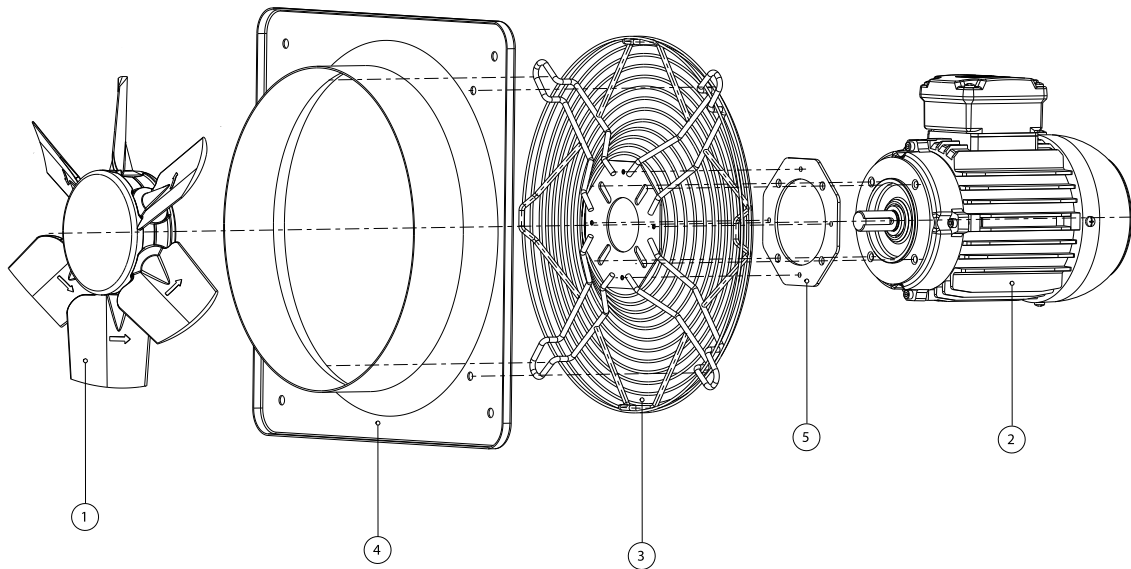


FREQUENCY SPEED CONTROLLER
SFC 230 I 2,5A *
REF: SFC230I003



FREQUENCY SPEED CONTROLLER
SFC 400 III 1,2A *
REF: SFC400III1

SPARE PARTS



	Code	Model	Qty
2	721601114M050	MOTOR 0,12KW T4 B14	x1