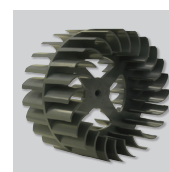




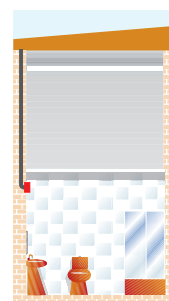
Centrifugal fans, with an approximate airflow of 100 m<sup>3</sup>/h at free discharge, back draft shutter incorporated, body and impeller made of polypropylene, 230V-50Hz motor, IPX2, Class II. Specially designed for installations where pressure losses have to be overcome, to work at temperatures up to 40°C.



**Back draft shutter**  
fitted with an automatic back draft shutter to prevent air entry and limit heat leakage when the extractor is not operating.



**Forward curved centrifugal impeller**  
To deliver high performance with a minimum noise level against high static pressure system resistance.



### MODEL FEATURES

	S	T
NEON LIGHT	•	•
BACKDRAFT SHUTTER	•	•
ADJUSTABLE RUN-ON-TIMER (1)		•

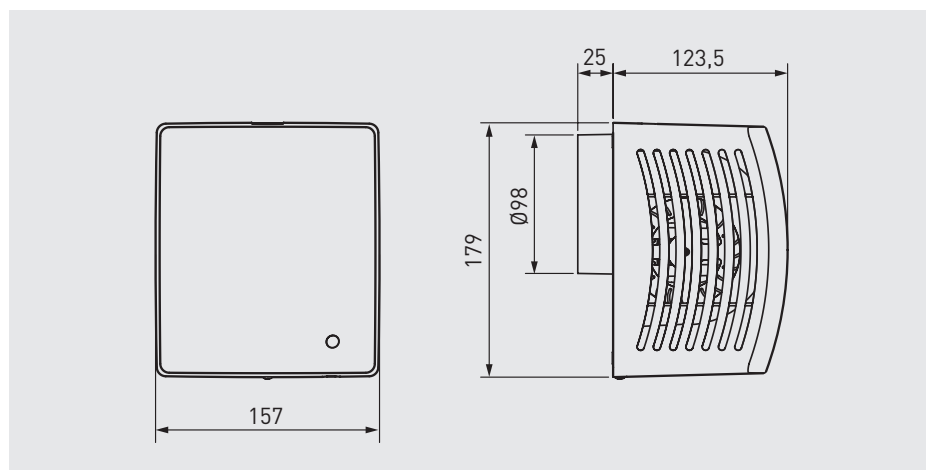
(1) Between 5 and 25 minutes.

### TECHNICAL CHARACTERISTICS

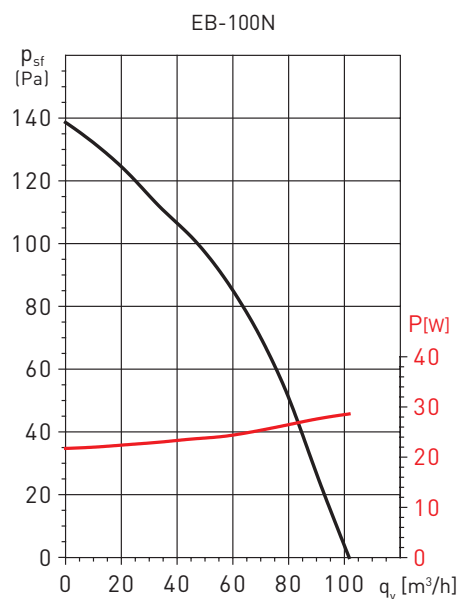
Model	Speed (rpm)	Absorbed power at free discharge (W)	Voltage (V) 50 Hz	Sound pressure level (dB(A)) a 1,5 m*	Airflow at free discharge (m <sup>3</sup> /h)	IP	Ø duct (mm)	Weight (kg)
EB-100N	2000	28	230	43	100	Clase II / IPX2	100	1,1

\* Measured at free discharge.

### DIMENSIONS (mm)



### PERFORMANCE CURVE



### ACCESSORIES



**GSA-100**  
Flexible aluminium ducting.



**GRA-75**  
Aluminium external grille.



**CX-80/125**  
Worm drive ducting clip.



**MRT-100**  
Circular duct joining piece.